



Sub215

Dual 15 inch Direct-Radiating Subwoofer

VLF Install



Overview

The Sub215 is a dual 15 inch, vented subwoofer that is designed to provide low frequency support in installations requiring high SPLs from a compact enclosure. Its high power transducers provide a physically engaging musicality like that produced by larger systems.

The Sub215 requires digital signal processing, and many platforms are supported. The Sub215 is an excellent option any time a compact subwoofer with robust SPL capability is needed. This makes it the perfect choice for club live reinforcement or dance systems, high intensity DJ monitors, A/V screening rooms, and distributed low frequency reinforcement in nightclubs, restaurants, and theme parks.

Technologies

The two 15 inch woofers in the Sub215 have high power, 4 inch voice coils, and are capable of impressively large excursion. The enclosure is optimally tuned to provide maximum low frequency output in a compact package.

Performance Specifications¹

Operating Mode

Single-amplified w/ DSP

Operating Range²

25 Hz to 141 Hz

Nominal Beamwidth

Spherical within operating range

Transducers

LF: 2x 15.0" woofers, 4.0" voice coil; ceramic magnet

Power Handling @ Nominal Impedance³

89 V / 2000 W @ 4 Ω (2x 1000 W @ 8 Ω)

Nominal Sensitivity @ Input Voltage⁴ (half / whole space)

104 dB / 98 dB @ 2.00 V

Nominal Maximum Continuous SPL (half / whole space)

143 dB / 137 dB peak
137 dB / 131 dB continuous

Equalized Sensitivity @ Input Voltage⁵ (half / whole space)

98 dB / 92 dB @ 2.00 V

Equalized Maximum SPL⁶ (half / whole space)

137 dB / 131 dB peak
131 dB / 125 dB continuous

Recommended Power Amplifier

2000 W to 3000 W @ 4 Ω

Physical Specifications

Connections

(2) Neutrik NL4 Speakon

Pin 1+/-: LF1

Pin 2+/-: LF2

Mounting / Suspension Points

(16) M10 eye bolt angle points

Dimensions / Weight

See page 4

Finish

Black painted enclosure w/ matte black grille, or
White painted enclosure w/ matte white grille

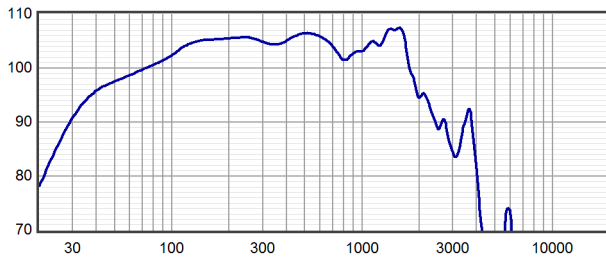
Options

Terminal strip input, Custom color finish,
Weather-resistant (WR) enclosure

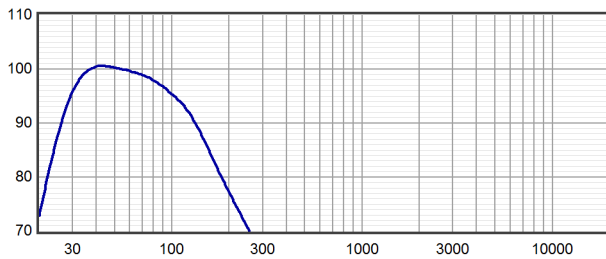


product specification

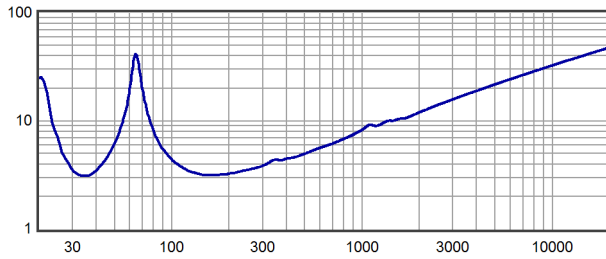
Axial Sensitivity (dB SPL, 2.00V @ 1 m, half space)^{7,8}



Axial Processed Response (dB, half space)^{7,9}



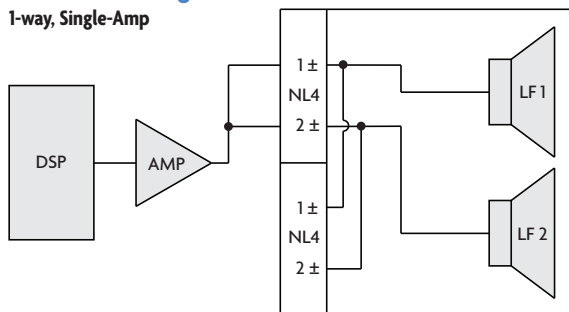
Impedance (ohms)



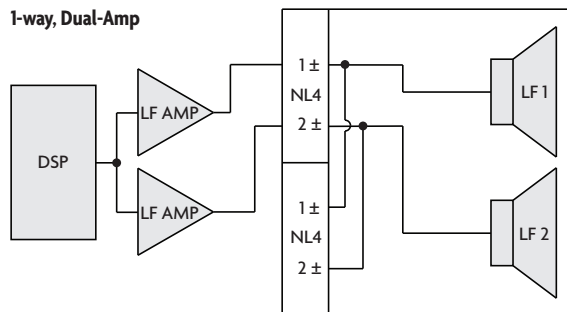


Connection Diagram

1-way, Single-Amp



1-way, Dual-Amp



Mechanical Specification Drawings

2D and 3D DXF dimensional drawings are available for download at www.fulcrum-acoustic.com/support.

Notes

- ¹ **Performance Specifications** All acoustic specifications rounded to nearest whole number. External DSP with Fulcrum Acoustic-provided settings is required to achieve the specified performance.
- ² **Operating Range** The frequency range within which the processed response is within 10 dB of the average.
- ³ **Power Handling** Based on the AES power handling of the transducers.
- ⁴ **Nominal Sensitivity** The 1-meter-referenced SPL produced by a 1 watt band limited pink noise signal, with no processing applied.
- ⁵ **Equalized Sensitivity** The 1-meter-referenced SPL produced when an EIA-426-B signal is applied to an equalized loudspeaker system, at a level which produces a total power of 1 watt, in sum, to the loudspeaker subsections.
- ⁶ **Equalized Maximum SPL** The 1-meter-referenced SPL produced when an EIA-426-B signal is applied to an equalized loudspeaker system, at a level which drives at least one subsection to its rated power.
- ⁷ **Resolution** All response graphs are subjected to 1/6 octave cepstral smoothing with a gaussian weighting function.
- ⁸ **Axial Sensitivity** The SPL plotted against frequency for a 1 watt swept sine wave, referenced to 1 m with no signal processing.
- ⁹ **Axial Processed Response** The axial magnitude response with recommended signal processing applied.